

CUSHION BOXES



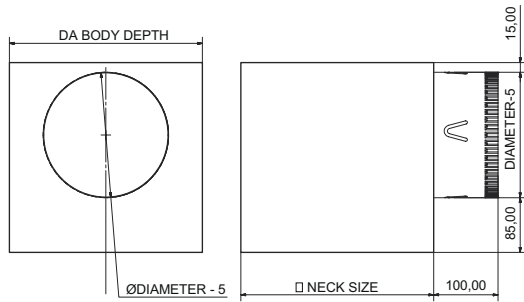
Polyaire manufacture an extensive range of Sheet Metal Cushion boxes to suit all Supply, Return, Relief and Exhaust applications.

Construction is from Galvanised Steel or Zincanneal in material thicknesses as specified.

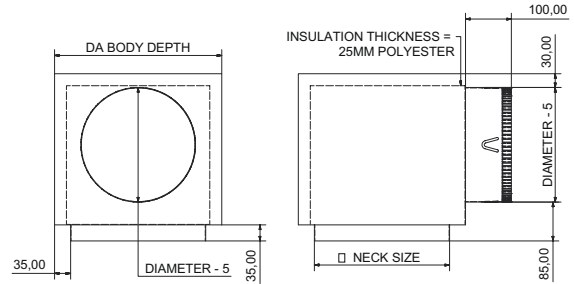
Uninsulated (Plain) Cushion Boxes are generally used for exhaust applications while insulated Cushion Boxes are used for Supply, Return and Transfer applications.

Insulation requirements are application specific and include 6mm, 25mm and 50mm Polyester, Black Face or lined with Acoustic Sisalation.

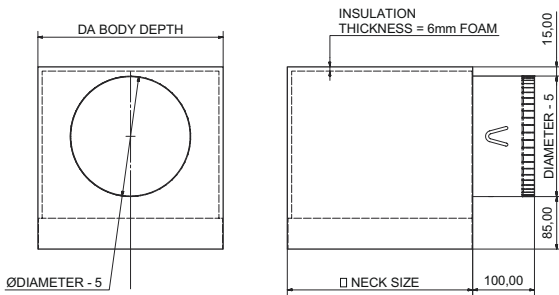
Cushion Boxes are manufactured to order in a wide range of sizes to accommodate the Diffuser, Register or Grille.



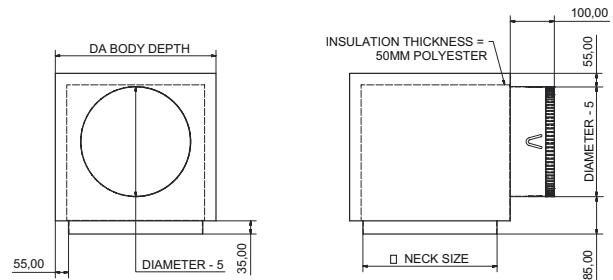
MODEL PCBX
(Plain Cushion Box)



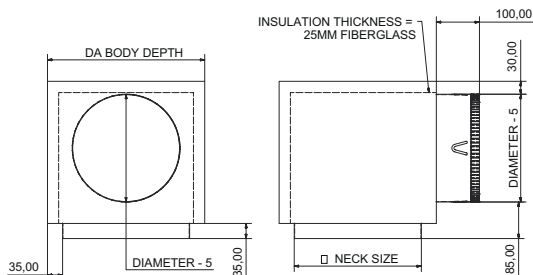
MODEL INSCBX-25P
(Insulated Cushion Box - 25mm Polyester)



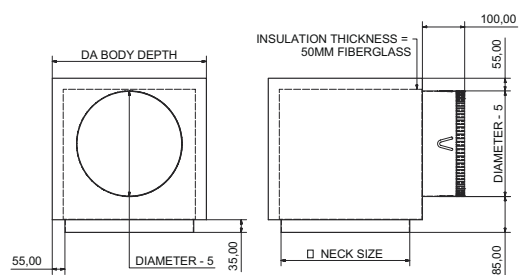
MODEL INSCBX-6
(Insulated Cushion Box - 6mm Foam)



MODEL INSCBX-50P
(Insulated Cushion Box - 50mm Polyester)



MODEL INSCBX-25F
(Insulated Cushion Box - 25mm Fibreglass)



MODEL INSCBX-50F
(Insulated Cushion Box - 50mm Fibreglass)